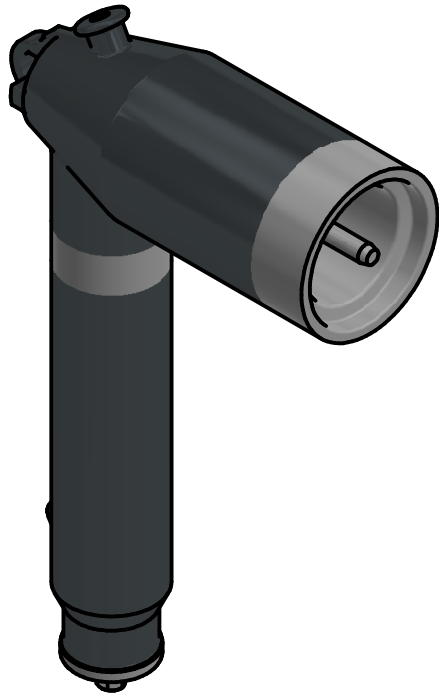


# 35KV CLASS ELBOW ARRESTER

1850 Richmond Ave East  
Aiken, SC 29801  
Phone: 803-648-8386  
[www.Hubbellpowersystems.com](http://www.Hubbellpowersystems.com)



**Insulation Withstand Voltages**

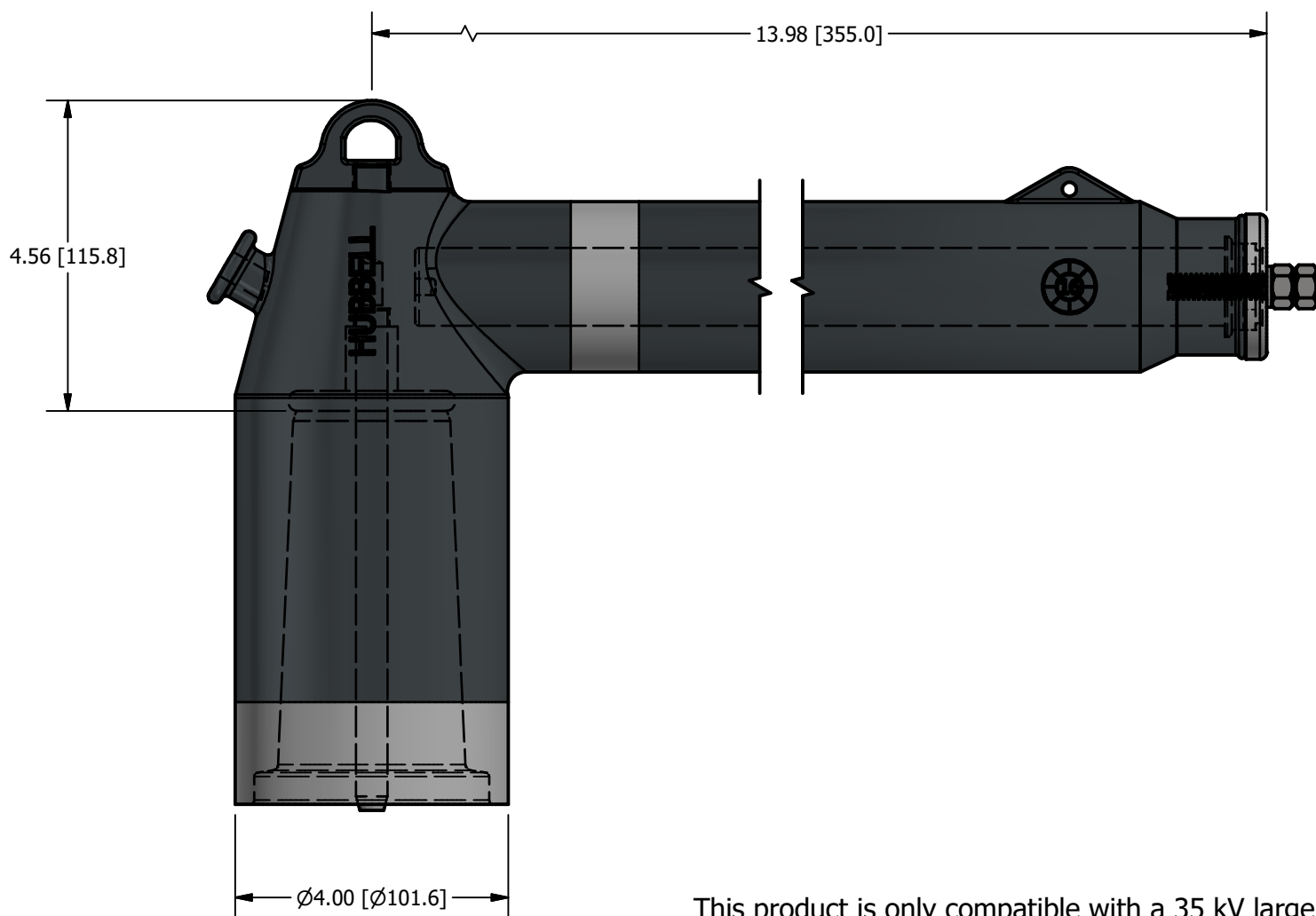
Basic Impulse Level.....150 kV Crest (1.2 x 50 μSec. wave)  
60 Hz (60 Sec.).....50 kV rms  
Partial Discharge Extinction Voltage (5 pC).....26 kV rms

**Deadfront Arrester Failure Mode Test**

The Hubbell Sure-Break™ Elbow Arresters meet the requirements of IEEE Std. C62.11 Clause 8.17

**Production Tests**

100% factory tested for Partial Discharge



This product is only compatible with a 35 kV large interface, Interface 8 of IEEE Std. 386.

| Catalog Number | MCOV kV | Rating kV | 0.5 μsec. 5kA Max IR- | Maximum Discharge Voltage (kV Crest)<br>8x20 μsec. Current Wave |        |        |       |       |       |
|----------------|---------|-----------|-----------------------|---|--------|--------|-------|-------|-------|
|                |         |           |                       | 1.5 kA  | 3.0 kA | 5.0 kA | 10 kA | 20kA  | 40 kA |
| 236ELA27       | 22.0    | 27.0      | 88.0                  | 70.8  | 75.4   | 80.4   | 90.5  | 104.6 | 130.7 |
| 236ELA30       | 24.4    | 30.0      | 97.8                  | 78.7  | 83.8   | 89.3   | 100.6 | 116.2 | 145.2 |
| 236ELA33       | 26.9    | 33.0      | 107.6                 | 86.6  | 92.2   | 98.3   | 110.7 | 127.9 | 159.8 |
| 236ELA36       | 29.0    | 36.0      | 117.4                 | 94.4  | 100.5  | 107.2  | 120.7 | 139.4 | 174.3 |



HUBBELL POWER SYSTEMS, Inc.

TITLE  
**35KV CLASS LARGE INTERFACE  
ELBOW ARRESTER**

|                   |              |  |                 |
|-------------------|--------------|--|-----------------|
| SIZE<br><b>SB</b> | DWG NO.<br>- | CAT / PART / ASSY NO.<br><b>236ELA</b> | REV<br><b>1</b> |
|-------------------|--------------|--|-----------------|

REV DATE  
**08/25/2021**

CONTENTS ARE CONFIDENTIAL AND THE EXCLUSIVE PROPERTY OF HUBBELL POWER SYSTEMS. NO PUBLICATION, DISTRIBUTION OR COPIES MAY BE MADE WITHOUT THE WRITTEN CONSENT OF HUBBELL POWER SYSTEMS. HUBBELL POWER SYSTEMS UNPUBLISHED ALL RIGHTS RESERVED UNDER THE COPYRIGHT LAWS.

DO NOT SCALE THIS DRAWING | DRN BY TDO | DATE 08/16/2021 | SHEET 1 OF 1